

# GKS 710

Non-Rotating Test Probe

**Grid:**

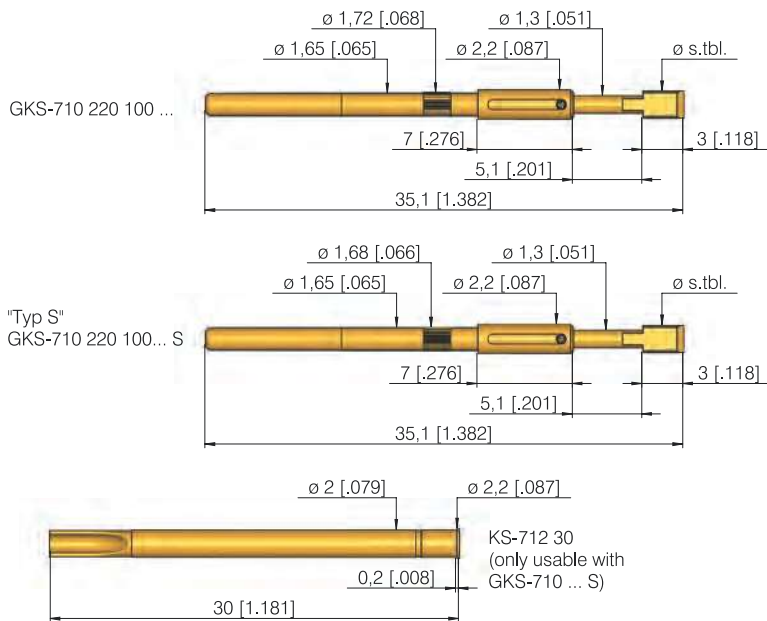
≥ 2,54 mm

≥ 100 Mil

**Installation height with KS:** 13,3/15,3/18,3 mm (.524/.602/.720)

**Recommended stroke:** 4,0 mm (.157)

## Mounting and functional dimensions



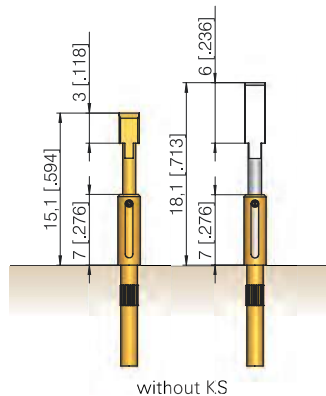
## Available tip styles

Material	Tip styles	Plating	Further versions		
			Width of spade	Plating	Install. height (without KS)
2 20		1,00 (.039) A			15,1 mm (.594)
2 20*		0,50 (.020) R A	0,40	R	18,1 mm (.713)
2 21		0,50 (.020) A	1,30	A	15,1 mm (.594)
2 22		∅ 2,00 (.079) A			15,1 mm (.594)
2 23		∅ 1,30 (.051) R			13,1 mm (.516)
2 26		2,00 (.079) A			15,1 mm (.594)

\* 3 mm longer as Standard

### Collar height and installation height

The installation height at the tip (dimension without KS) is determined by the collar height and the tip length (see table "Available tip styles").



### Mechanical data

**Working stroke:** 4,0 mm (.157)  
**Maximum stroke:** 5,0 mm (.197)  
**Spring force at work, stroke:** 1,5 N (5.4oz)  
**Alternative:** 3,0 N (10.8oz); 5,0 N (18.1oz)

### Electrical data

**Current rating:** 5 - 8 A  
**R<sub>i</sub> typical:** < 30 mΩ

### Operating temperature

**Standard:** -40° up to +80° C

### Materials

**Plunger:** Steel, gold- or rhodium-plated  
**Barrel:** Brass, gold-plated  
**Spring:** Steel, gold-plated  
**Receptacle:** Brass, gold-plated

### Mounting hole size

**in CEM1 with receptacle:** ∅ 1,98 - 2,00 mm (.0780 - .0787)  
**in FR4 with receptacle:** ∅ 1,99 - 2,01 mm (.0783 - .0791)  
**without receptacle:** ∅ 1,66 mm (.0654)

### Note:

The knurl on the barrel of the test probe guarantees fits securely in the receptacle or directly into the probe plate.

Please specify special designation "S" when using receptacle KS-712 30.

## Ordering example

Series	Tip material	Tip style	Tip diameter (1/100 mm)	Plating	Spring force (dN)	Collar height (mm)	Special designation (alternative "S")
	2 = Steel			A = Gold			

Test probe:

G K S 7 1 0 2 2 0 1 0 0 R 1 5 0 7

Receptacle suitable for GKS-710 ... S:

K S - 7 1 2 3 0