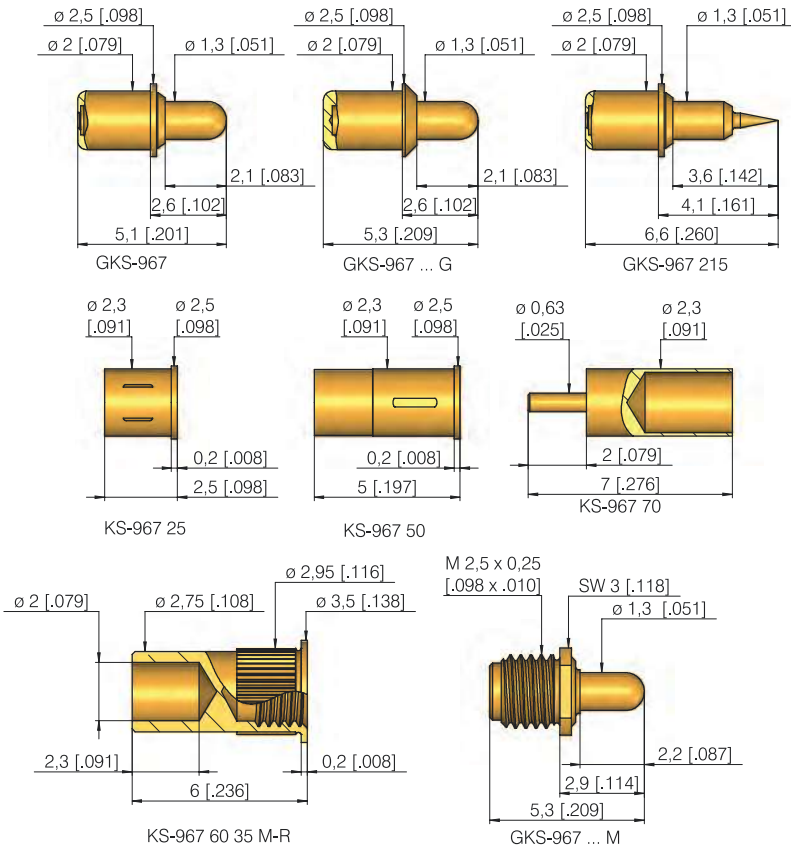


Grid:
 ≥ 3,00 mm
 ≥ 120 Mil

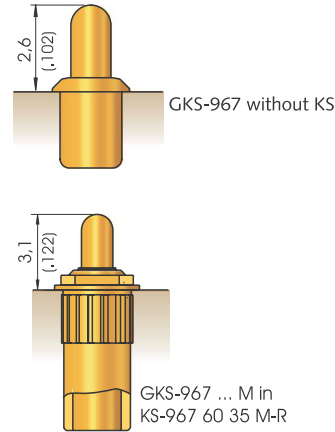
Installation height with KS: 2,8 / 3,1 / 4,3 mm (.110/.122/.169)
Recommended stroke: 1,0 mm (.039)

Mounting and functional dimensions



		Available tip styles		
Material	Tip style	Plating	Further versions	
			Ø	Ø (inch)
3	02	A	Ø 1,30 (.051)	
3	03	A	Ø 1,30 (.051)	
3	04	A	Ø 1,30 (.051)	
3	05	A	Ø 1,30 (.051)	
3	06	A	Ø 1,30 (.051)	
2	15*	A	Ø 1,30 (.051)	

* Installation height: 4,1 mm (.161)



Mechanical data

Working stroke: 1,0 mm (.039)
Maximum stroke: 1,2 mm (.047)
Spring force at work. stroke: 2,0 N (7.2oz)
Alternative: 1,0 N (3.6oz)

Mounting hole size GKS 967

in CEM1 and FR4 with receptacle: Ø 2,28 - 2,29 mm (.0898 - .0902)
without receptacle: Ø 2,00 mm (.0787)

Recommended screw-in torque:
 Min.: 3 cNm / Max.: 5 cNm

Electrical Data

Current rating: 5 - 8 A
R_i typical: < 10 mΩ (* < 100 mΩ)

Mounting hole size GKS 967 ... M

in CEM1 und FR4 with receptacle: Ø 2,92 - 2,94 mm (.1150 - .1157)

Operating temperature

Standard: -40° up to +80° C
***with special designation "C" or "G":** -100° up to +200° C (1,0 N; 2,0 N)

Materials

Plunger: BeCu or steel, gold-plated
Barrel: Brass, gold-plated
Spring: Stainless steel*, steel, gold-plated
Receptacle: Brass, gold-plated

Ordering example

Series	Tip material	Tip style	Tip diameter (1/100 mm)	Plating	Spring force (dN)	Collar height (mm)	Type "C", "G", "M" or "MC"
	1 = Brass 3 = BeCu			A = Gold			

Test probe:

G K S 9 6 7 3 0 4 1 3 0 A 2 0 0 1

Receptacles:

K S - 9 6 7 2 5 K S - 9 6 7 5 0 K S - 9 6 7 7 0